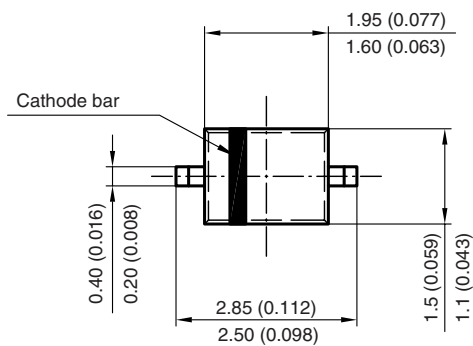
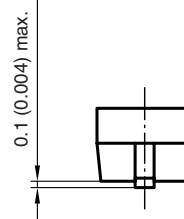
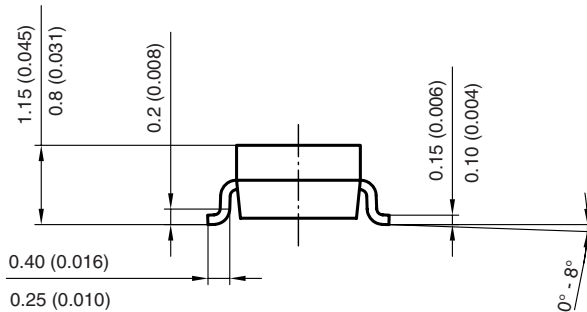
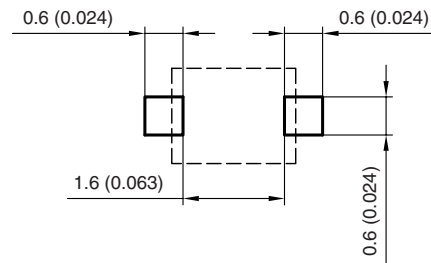


PACKAGE DIMENSIONS in millimeters (inches)



Mounting pad layout



Created - Date: 24. August. 2004
Rev. 04 - Date: 23. Sep. 2009
Document no.: S8-V-3910.02-001 (4)
17443